



## WOOD & EXPORT CRATING

Delaware Valley Box and Lumber is the largest supplier in the New Jersey, Eastern Pennsylvania, Delaware and Northern Maryland area of custom wood crates for domestic and export shipping. All our crates comply with military and government agency requirements and we can custom design the crates to your specific needs.

### CRATE TYPES

- Wooden Crates
- Wooden Boxes
- Trade Show Crates
- Export Crates
- Foam Lined Crates
- Shock Absorbing Crates
- Link Lock Crates
- Ramp Crates
- Storage Vaults
- Material Handling Crates
- Single Shipment Crates
- Military Standard Crates
- Heavy Duty Crates

### CRATE OPTIONS

- Shipped set up (SU) or knocked down (KD)
- Assembled with nails or screws
- Stenciling
  - Company name and logo
  - Part numbers
  - Directional arrows
- Floating decks
- Foam lined
- Shelving
- Inspection doors
- Saddles and fixtures
- Hinges and twist latches
- Ramps and doors
- Air-Dampened Pallet Cushions
- Headers
- Tar paper lined for moisture control
- Reusable crates
- Painting
- Mounting hardware
- Heat Seal Barrier Bags



### MATERIALS USED

- S4S KD wet lumber
- Treated KD lumber
- Composite lumber
- CDX, C+C, BC plywood
- Fire retardant plywood
- Co-extruded polypropylene ridged sheet

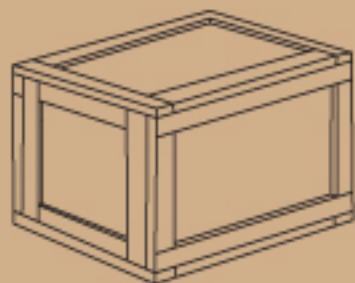
ISPM 15 Certification – we have been inspected and certified for ISPM 15 requirements for international shipments



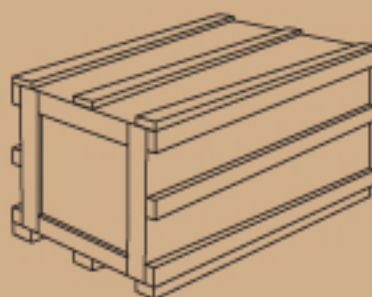
We can deliver the crates to you for packaging or can perform the packaging for you at your facility or ours.



## CLEATED WOOD BOX STYLES



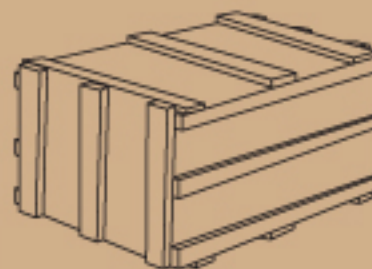
**Style A**  
Full cleating with top and Bottom  
nailed into sides and ends.



**Style F**  
Full cleating on ends, horizontal  
cleats on sides, top and bottom.



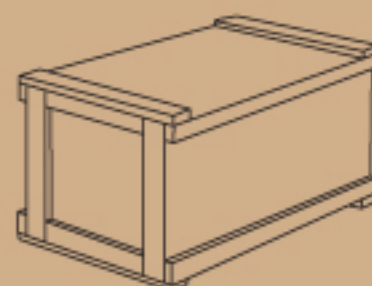
**Style B**  
Full cleating with top and bottom  
fitting between the ends (Lock  
Corner Cleating).



**Style G**  
Vertical cleating on ends, horizontal  
cleating on sides with side to side  
cleats on the top and bottom.



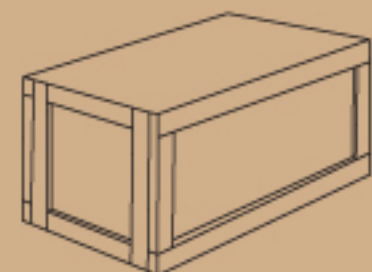
**Style C**  
Full cleating on ends, horizontal  
cleating on the sides with solid panel  
top and bottom.



**Style H**  
Full cleating on ends, horizontal  
cleating on the sides with top and  
bottom side to side cleating.



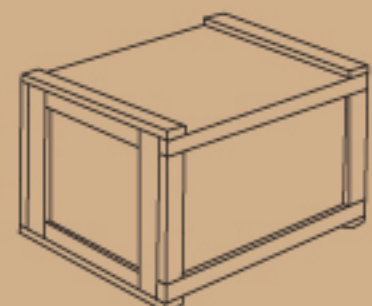
**Style D**  
Vertical cleating on ends, horizontal  
cleating on the sides with top and  
bottom side to side cleating.



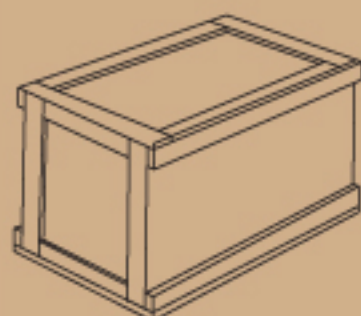
**Style I**  
Full cleating on sides and ends with  
solid panel top and bottom.



**Style E**  
Full cleating on ends, horizontal  
cleats on sides with top and bottom  
side to side cleats. Top and bottom  
fitting between the ends (Lock  
Corner Cleating).



**Style J**  
Full cleating on sides and ends with  
side to side cleating on the top.



**Style K**  
Full cleating on the top and ends  
with horizontal cleating on the sides.

